



**SPARE PARTS CATALOGUE  
ERSATZTEILKATALOG  
CATALOGUE PIECES DETACHEES  
CATALOGO PARTI RICAMBIO  
CATALOGO DE PIEZAS DE RECAMBIO  
CATALOGO PECAS, DE REPOSICAO**

Catalogo parti di ricambio valido  
dalla matricola 4328706 ad oggi (17/11/2021)

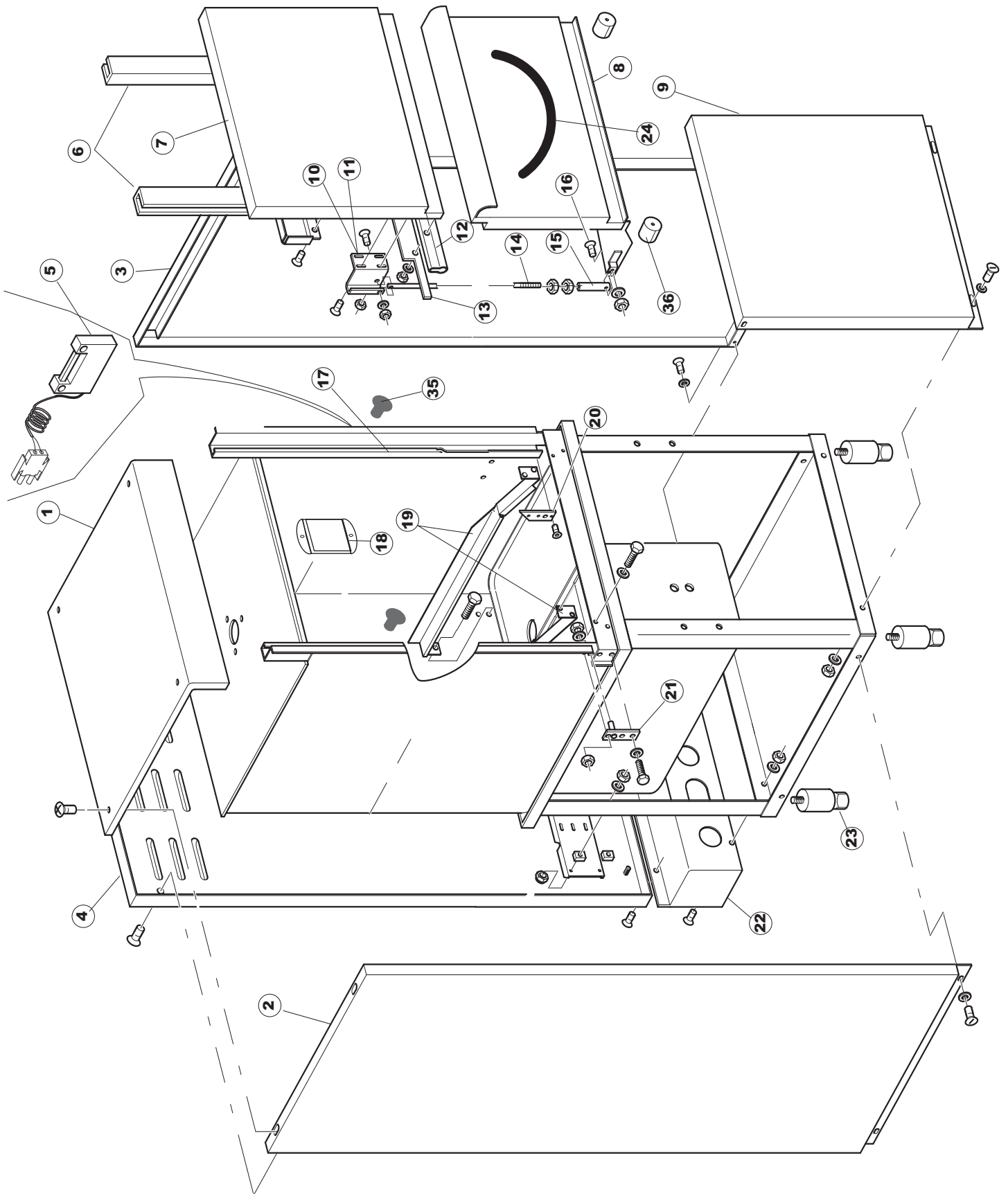
Catalogue pieces detachees  
du numero de Série n. 4328706 jusqu'à aujourd'hui (17/11/2021)

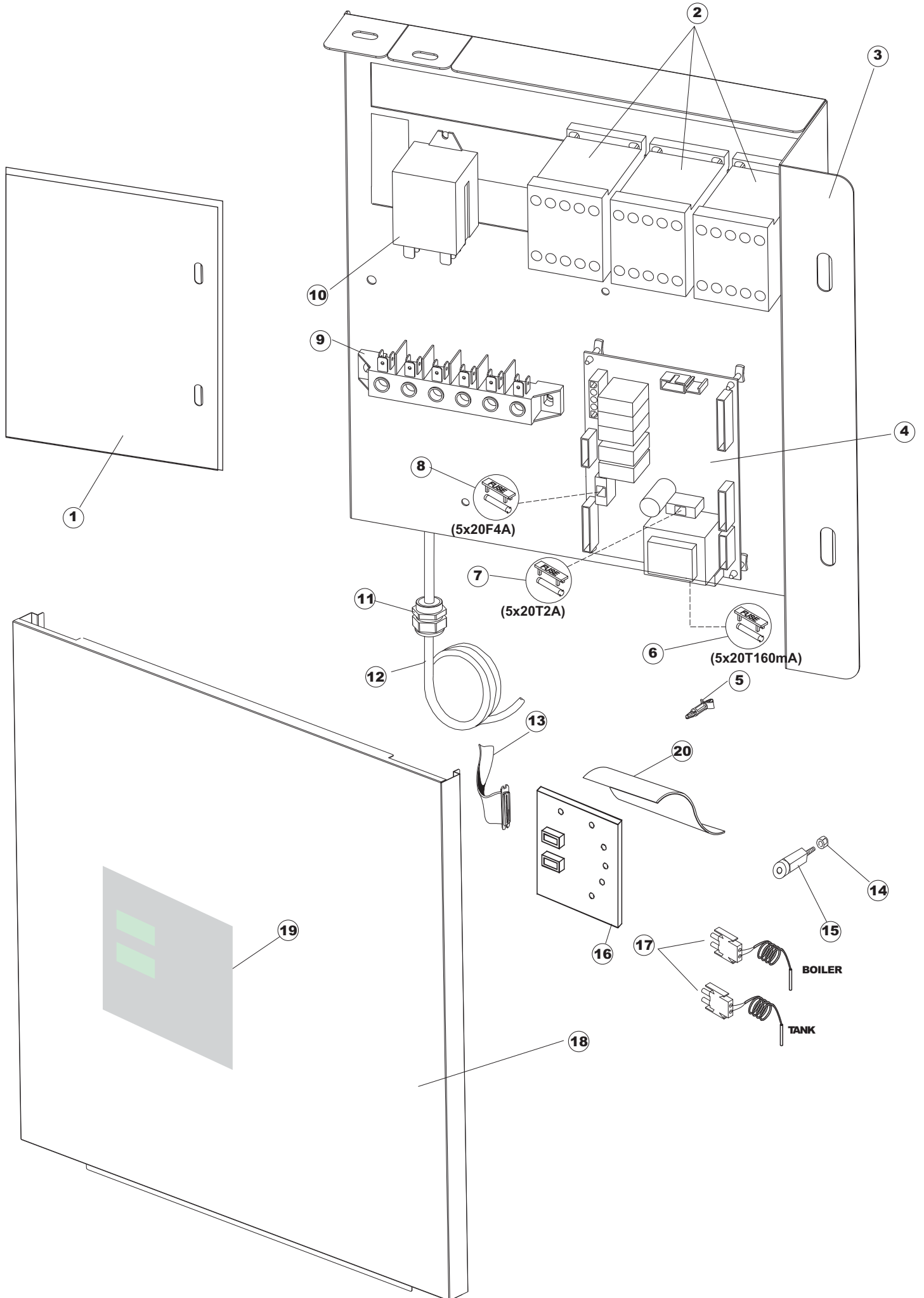
Ersatzteilkatalog  
gültig ab Serien-Nr. 4328706 bis heute (17/11/2021)

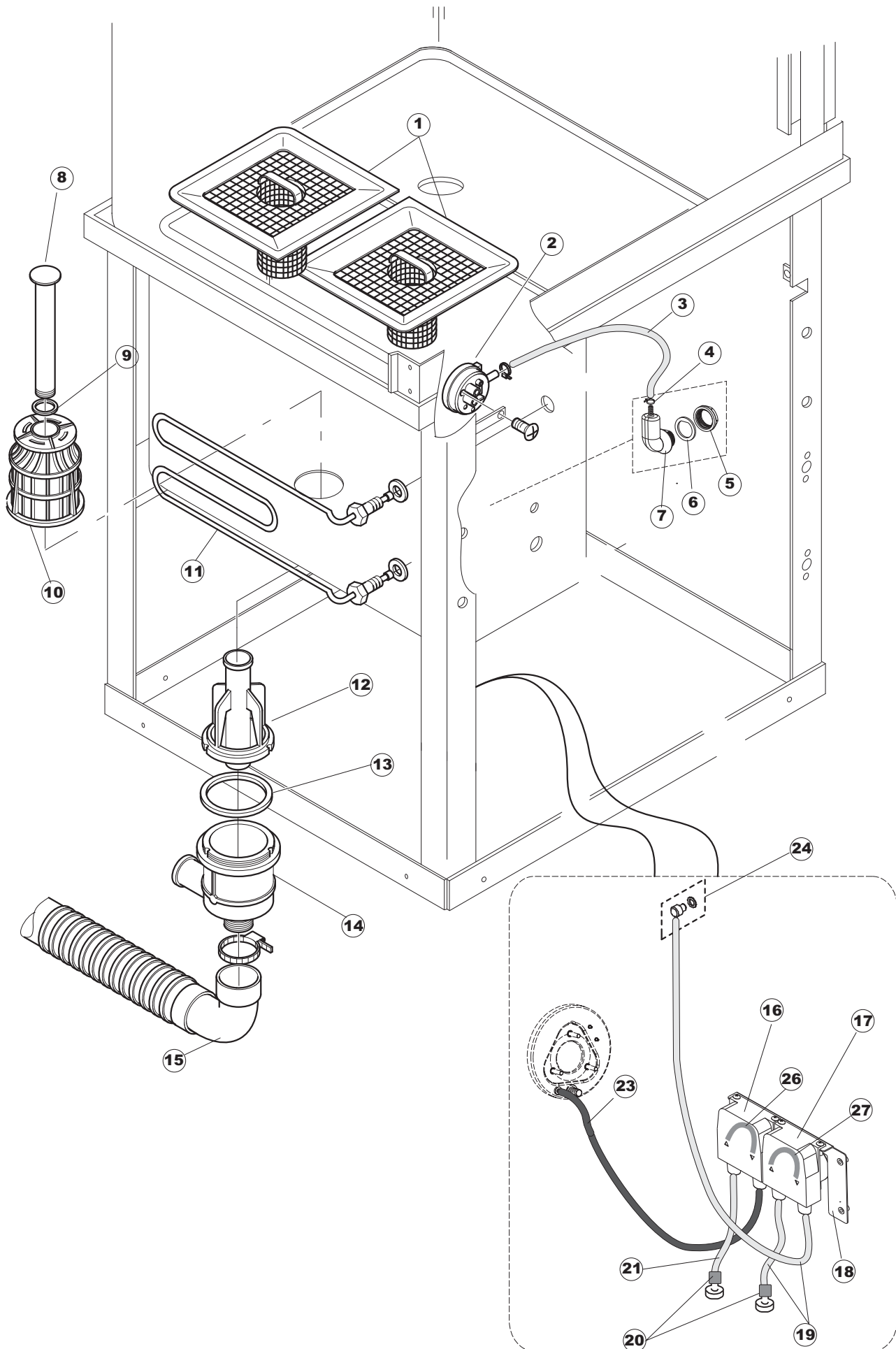
Spare parts catalogue  
valid from serial no. 4328706 up today (17/11/2021)

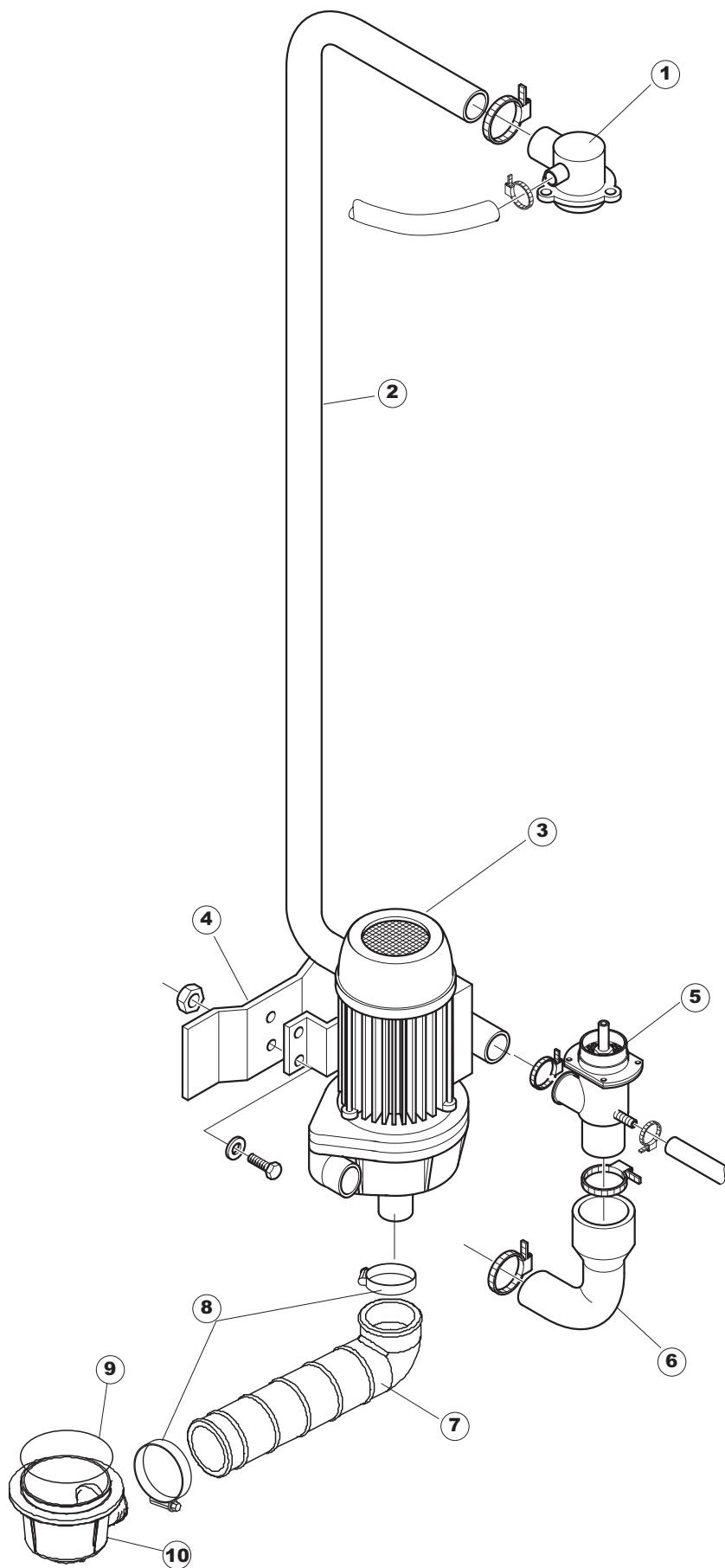
Catálogo de peças de reposição  
válido do número de série 4328706 até hoje (17/11/2021)

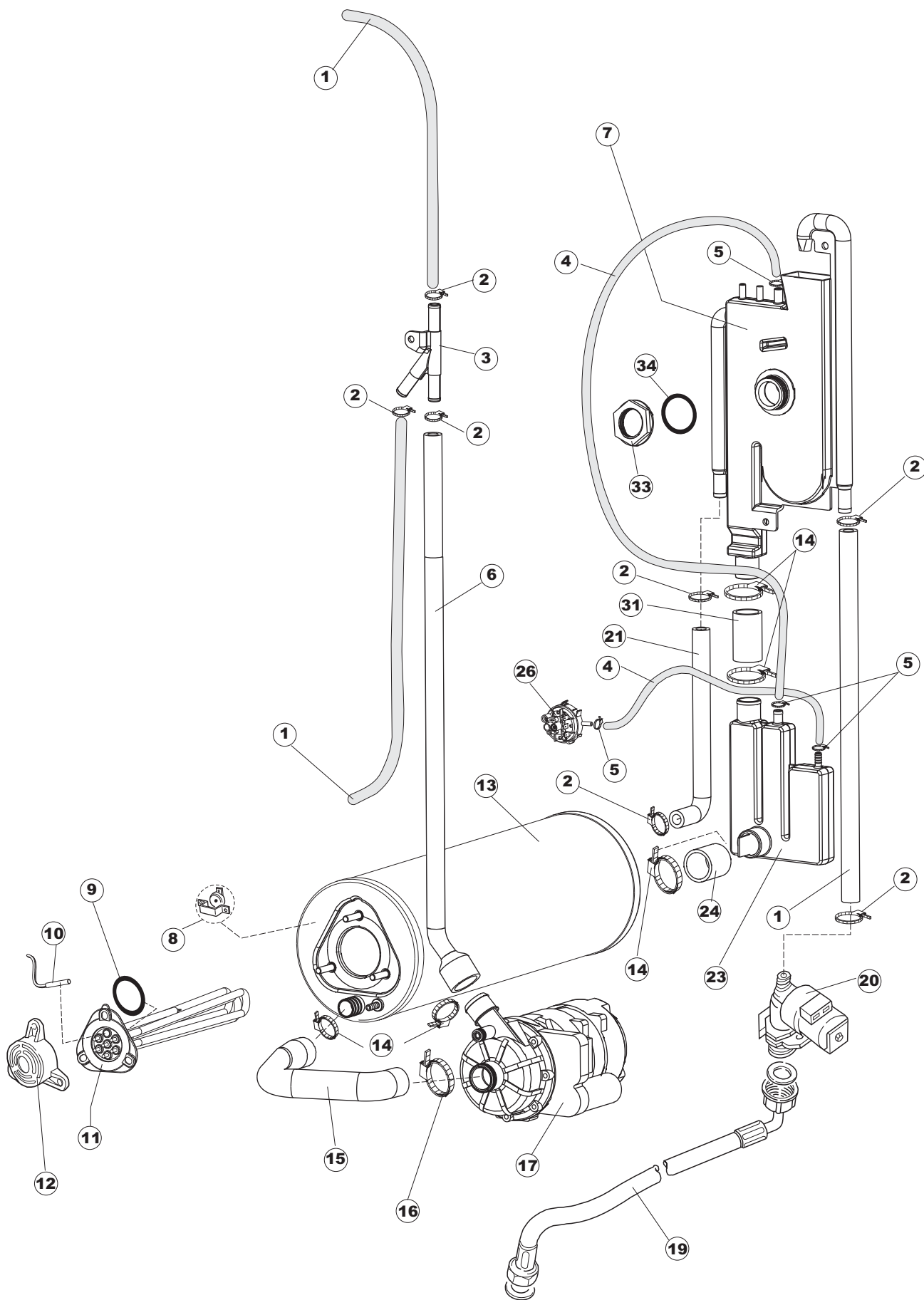
**LP5522**

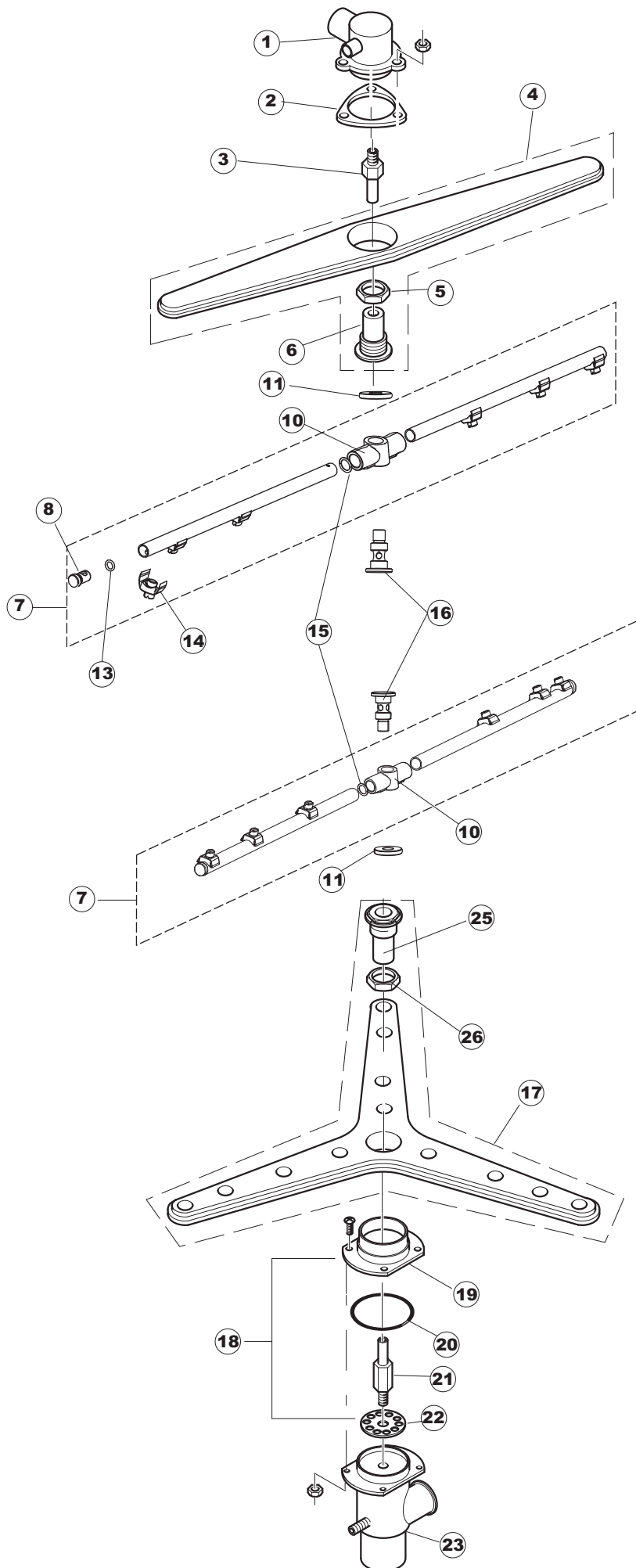


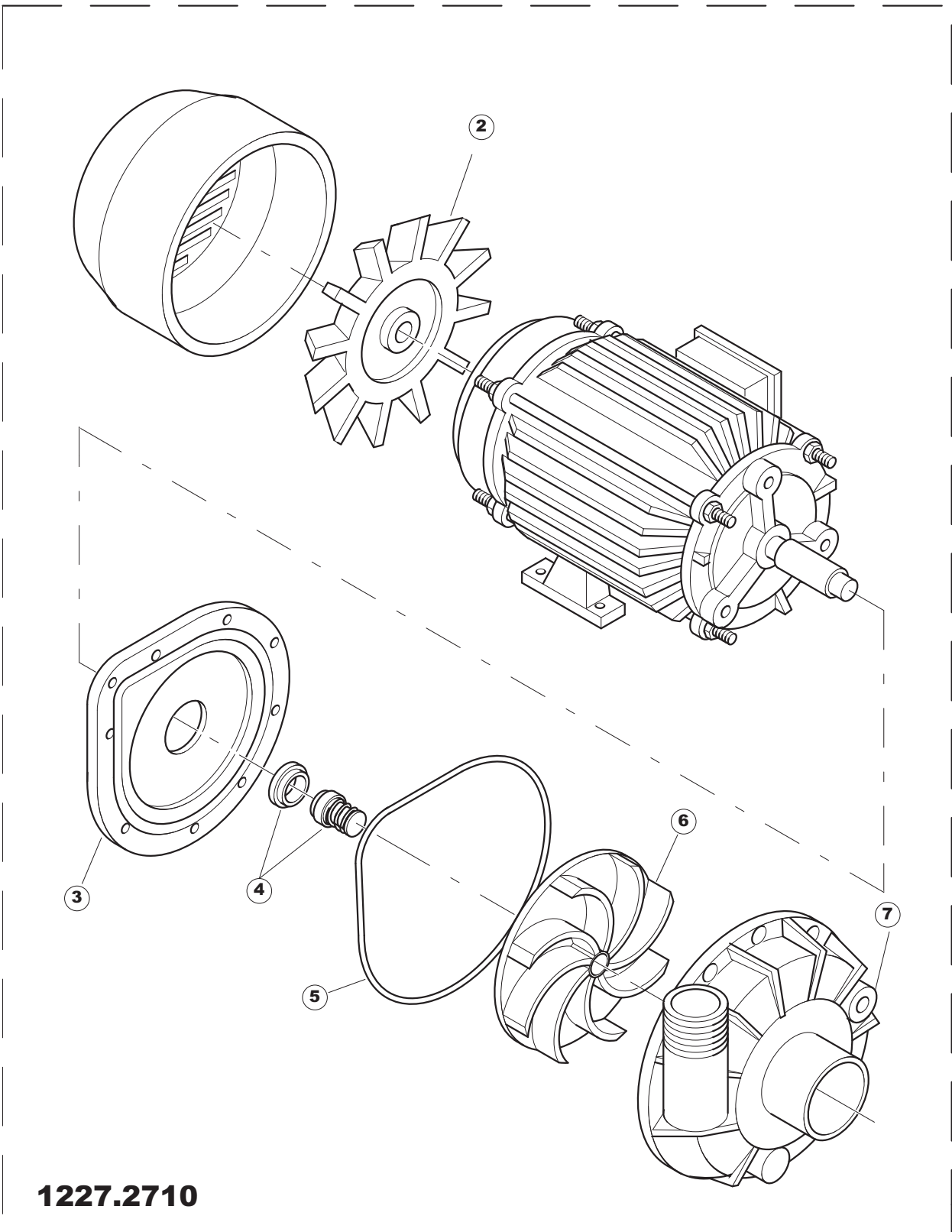












**1227.2710**



(\*) Recommended spare part.

Page	Spare part position	Spare part code no.	Old code number	Description	U.m.
1	1	41118		TOP PANEL	NR
1	2	44810		LEFT SIDE PANEL	NR
1	3	44814		RIGHT SIDE PANEL	NR
1	4	44122		BACK PANEL	NR
1	5	80871		MAGNETIC DOOR SWITCH	NR
1	6	44265		DOOR SLIDING GUIDE - UPPER	NR
1	7	K44360		KIT UPPER DOOR	NR
1	8	44440		LOWER DOOR	NR
1	9	41124		FRONT PANEL	NR
1	10	4108701		DOOR BRACKET	NR
1	11	4108801		SUPPORT BRACKET	NR
1	12	41583		DOOR GASKET	NR
1	13	41582		DOOR PACKING SUPPORT - UPPER	NR
1	14	44593		DOOR LEVER	NR
1	15	41095		UPPER BUSH FOR DOOR TIE FOR POT AND PAN WASHERS	NR
1	16	486078		STAINLESS STEEL SCREW 6MAX30 T.1/2 TC	NR
1	17	929199		PART NUMBER NO LONGER AVAILABLE	
1	18	43527		GUARD	NR
1	19	41539		RACK SLIDE	NR
1	20	4113501		DOOR SIDE THICKNESS - DX/SX	NR
1	21	4114501		SMALL PLATE FOR DOOR PIN	NR
1	22	41622		BACK PANEL	NR
1	23	927006		FOOT	NR
1	24	41275		HANDLE	NR
1	35	929199		PART NUMBER NO LONGER AVAILABLE	
1	36	41100		DOOR BEATING POINT BUFFER	NR
2	1	41416		COVER	NR
2	2	73350		CONTACTOR	NR
2	3	41415		WIRING PANEL	NR
2	4	215032-1		MAIN BOARD	NR
2	5	CWP2		FOOT	NR
2	6	228012		FUSE	NR

(\*) Recommended spare part.

Page	Spare part position	Spare part code no.	Old code number	Description	U.m.
2	7	228011		FUSE	NR
2	8	228004		FUSE (PART NR. REPLACED BY 228010)	
2	8	228010		FUSE	NR
2	9	220011		TERMINAL BLOCK	NR
2	10	929115		RELAY 16A 230V	NR
2	11	DEP521		CABLE GLAND	NR
2	12	69803		POWER CABLE	NR
2	13	80934		FLAT CABLE	NR
2	14	417119		NUT	NR
2	15	419036		INTERFACE BOARD DISTANCE KEEPERS	NR
2	16	80889		CONTROL KEYBOARD	NR
2	17	231016		TEMPERATURE PROBE	NR
2	18	41124		FRONT PANEL	NR
2	19	41728		CONTROL ADHESIVE INTERFACE	NR
2	20	69810		CURTAIN	NR
3	1	41257		STAINER	NR
3	2	926049		PRESSURE SWITCH	NR
3	3	143253		PIPE	MT
3	4	CFF10073		PRICE TO BE DEFINED (PART NR. REPLACED BY 423028)	
3	4	423028		HOSE CLAMP	NR
3	5	417120		NUT	NR
3	6	437098		GASKET	NR
3	7	70600		AIR TRAP FOR PRESSURE SWITCH	NR
3	8	80250		OVERFLOW PIPE	NR
3	9	CGR4131NT		O-RING	NR
3	10	121081		STAINER	NR
3	11	70562		HEATING ELEMENT	NR
3	12	80470		PRICE TO BE DEFINED (PART NR. REPLACED BY 429038)	
3	12	429038		RING NUT	NR
3	13	456040		O-RING	NR
3	14	136020		ASPIRATION AND DRAIN BODY	NR
3	15	143136		DRAIN HOSE	NR

(\*) Recommended spare part.

Page	Spare part position	Spare part code no.	Old code number	Description	U.m.
3	16	209042		DOSING PUMP	NR
3	17	209043		DETERGENT DOSING PUMP	NR
3	18	80675		SUPPORT BRACKET	NR
3	19	143194		PIPE	MT
3	20	121075		PRICE TO BE DEFINED (PART NR. REPLACED BY 121993)	
3	20	121993		FILTER AID DISPENSER	NR
3	21	H.775601		PIPE	MT
3	23	143005		LINEN RUBBER PIPE 5X12 - BLACK	MT
3	24	999348		DETERGENT TANK FITTING	NR
3	26	143261		HOSE	NR
3	27	143258		"SANTOPRENE" PIPE	NR
4	1	35604		UPPER MAIN MANIFOLD	NR
4	2	44354		PIPE	NR
4	3	41990		WASHPUMP	NR
4	4	41626		SUPPORT BRACKET	NR
4	5	4206301		LOWER MANIFOLD	NR
4	6	41560		DELIVERY WASH HOSE	NR
4	7	80186		SUCTION PIPE	NR
4	8	CFS3		CLAMP, HOSE-TYPE TORRO W2B 60-80/12	NR
4	9	456040		O-RING	NR
4	10	136020		ASPIRATION AND DRAIN BODY	NR
5	1	143010		RUBBER PIPE 12X19,5	MT
5	2	927322		HOSE CLAMP	NR
5	3	143268		JUNCTION "Y"	NR
5	4	H.165168		PIPE	MT
5	5	423026		CABLE TIE	NR
5	6	41525		RINSE DELIVERY TUBE(CRP)	NR
5	7	144021		BREAK TANK	NR
5	8	926189		CONTACT SAFETY-THERMOSTAT	NR
5	9	456002		O-RING	NR
5	10	231016		TEMPERATURE PROBE	NR
5	11	230083C		HEATING ELEMENT 6KW	NR

(\*) Recommended spare part.

Page	Spare part position	Spare part code no.	Old code number	Description	U.m.
5	12	69870		BOILER HEATING ELEMENT PROTECTION	NR
5	13	104061		BOILER	NR
5	14	CFS18		HOSE CLAMP	NR
5	15	69068		PIPE	NR
5	16	423008		PRICE TO BE DEFINED	
5	17	80627		RINSE PUMP 50 HZ	NR
5	19	929169		PRICE TO BE DEFINED (PART NR. REPLACED BY 143270)	
5	19	143270		INLET WRAS PIPE	NR
5	20	240018		SOLENOID VALVE	NR
5	21	143004		PIPE	MT
5	23	144032		LOADING SYSTEM BOILER CRP WITH BELL PRESSURE SWITCH	NR
5	24	127095		BOILER PIPE	NR
5	26	224002		PRESSURE SWITCH TYPE 110-60	NR
5	31	929171		RUBBER PIPE 20X29	MT
5	33	417125		NUT	NR
5	34	437104		GASKET	NR
6	1	35604		UPPER MAIN MANIFOLD	NR
6	2	437064		GASKET	NR
6	3	80282		PIVOT	NR
6	4	80311		COMPLETE WASH ARM	NR
6	5	80314		PART NUMBER NO LONGER AVAILABLE (PART NR. REPLACED BY 926128)	
6	5	926128		HUB SUPPORT NUT FOR WASHING ARMS FOR DISHWASHERS MOD L51/52 (S6695)	NR
6	6	80310		GREY WASH ARM HOLDER (RAL 7001)	NR
6	7	41677		COMPLETE RINSE ARM	NR
6	8	926132		PLASTIC RINSE ARM CAP	NR
6	10	69632		BODY ARM	NR
6	11	K80679		RING NUT M12 WITH TEFLON WASHER	NR
6	13	456030		O-RING	NR
6	14	140036		RINSE JET	NR
6	15	456019		O-RING	NR
6	16	80644		PIVOT	NR
6	17	929195		COMPLETE WASH ARM	NR

(\*) Recommended spare part.

Page	Spare part position	Spare part code no.	Old code number	Description	U.m.
6	18	41064CP		SUPPORT COUNTER-FLANG OF WASH ARM OF POT AND PAN WASHER	NR
6	19	41064		SUPPORT COUNTER-FLANGE OF WASH ARM OF POT AND PAN WASHER	NR
6	20	926252		O-RING	NR
6	21	42053		PIVOT	NR
6	22	41185		REDUCER FOR POT AND PAN WASHER	NR
6	23	4206301		LOWER MANIFOLD	NR
6	25	926129		SUPPORT/HUB FOR WASH-ARM - DISHWASHERS	NR
6	26	80314		PART NUMBER NO LONGER AVAILABLE (PART NR. REPLACED BY 926128)	
6	26	926128		HUB SUPPORT NUT FOR WASHING ARMS FOR DISHWASHERS MOD L51/52 (S6695)	NR
7	1	41990		WASHPUMP	NR
7	2	335003		WASHPUMP FUN	NR
7	3	315002		PRICE TO BE DEFINED	
7	4	141002		WASH PUMP SHAFT SEAL FOR GLASSWASHER	NR
7	5	456023		O-RING	NR
7	6	41991		ELECTROPUMP IMPELLER	NR
7	7	116002		PRICE TO BE DEFINED	